



MODEL 7040 1½" I.D. STEERING CYLINDER

Materials: Brass tube and piston. End caps and bearings are silicon bronze. Piston rod is stainless steel and hard chromed.

The engineering features and simple design make this a very durable cylinder. All materials used are corrosion resistant. Normally the cylinders are supplied with Nitrile seals to provide smooth piston movement. Heavy duty urethane seals are also available on request.

ORDERING INFORMATION

Design Pressure 1500 psi
(103 bar, 10.3 MPa)

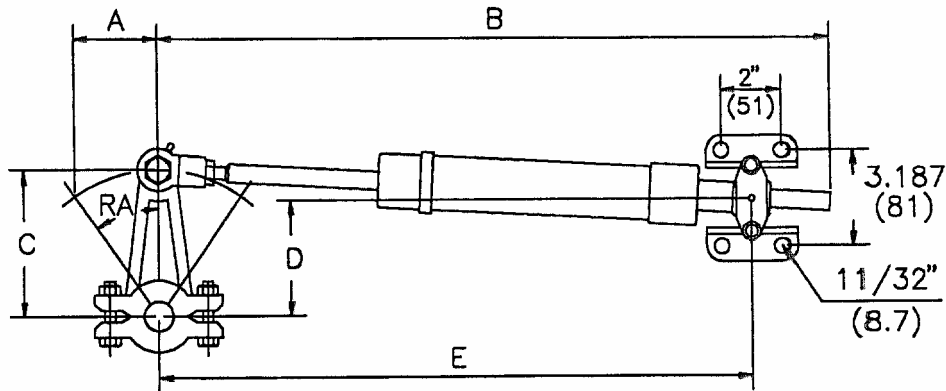
B - Balanced cylinder
U - Unbalanced cylinder
7.5 - with 7.5" stroke
10 - with 10" stroke

Weight: 7.9 lb, (3.6 kg) for 7.5" stroke
8.6 lb. (3.9 kg) for 10" stroke

Example: 7040-B7.5 is for balanced steering cylinder with 7.5" stroke

Effective Piston Area: 1.46 in² (9.4 cm²)

Note: Other strokes are available on request

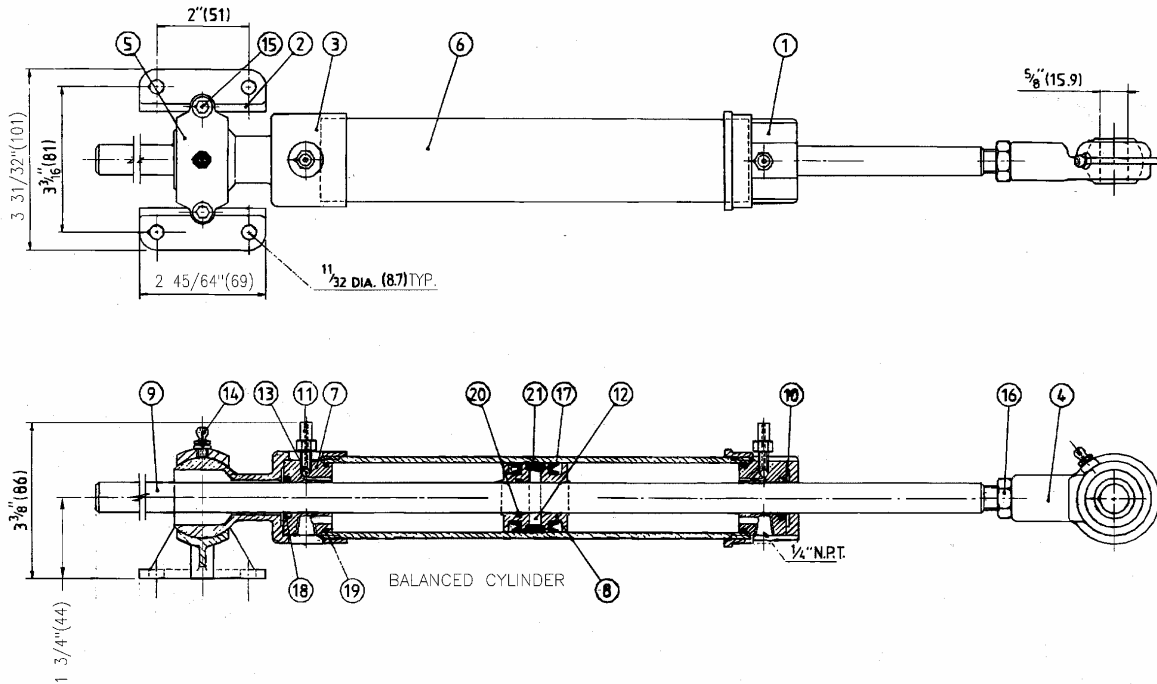


One balanced cylinder and Rudder angle (RA) 35°

Torque		Stroke		Displacement		A		B		C		D		E	
ft-lb	kg-m	in.	mm	in ³	cm ³	in.	mm	in.	mm	in.	mm	in.	mm	in.	mm
650	90	7.5	191	11	180	3.8	95	22	560	6.5	166	6	151	19.5	495
870	120	10	254	14.6	239	5	127	27	687	8.7	221	8	201	23.2	591

Torque is based on 1000 psi (69 bar)

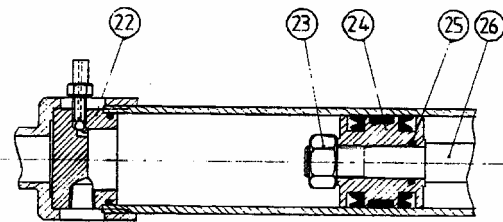
DIMENSIONS AND PARTS LIST MODEL 7040



All dimensions in inches (mm)

MODEL 7040

ITEM	QTY	QTY	PART NUMBER	DESCRIPTION
	*	**		
1	1	1	7040-0001	End Cap
2	1	1	7040-0002	+ Trunnion foot
3	1	1	7040-0003	+ Trunnion End Cap
4	1	1	7040-0004	Rod End
5	1	1	7040-0005	+ Trunnion Cap
6	1	1	7040-0006	*** Cylinder Tube
7	2	1	7040-0007	Rod Guide
8	1	-	7040-0008	Piston
9	1	-	7040-0009	*** Piston Rod
10	2	1	7040-0010	Retaining Washer
11	2	2	7040-0011	Bleeder Screw
12	1	1	7040-0012	Pin
13	2	2	1301-0005	Ball
14	2	2	1501-0301	Grease Nipple
15	2	2	1002-1120	Socket Head Screw
16	1	1	1022-0264	Jam Nut
17	2	2	1102-0026	Urethane "U" Cup (standard)
18	2	1	1102-2006H	"U" Cup
19	2	2	1101-0125	"O" Ring
20	1	-	1101-0016	"O" Ring
21	1	1	7040-0013	Wear Ring
22	-	1	7040-0107	Rear End Cap
23	-	1	1022-0164	Nut
24	-	1	7040-0108	Piston
25	-	1	1101-0014	"O" Ring
26	-	1	7040-0109	*** Piston Rod



UNBALANCED CYLINDER

- * Balanced cylinder
- ** Unbalanced cylinder
- *** Specify stroke when ordering
- + Must be ordered as a set