



**MODEL 3517
PALM VALVE**

The 3517 is a normally closed spring return two position 3-way valve. It is commonly used when a short burst of air is required for piloting or triggering larger valves and relays.

The 3517 will also pass continuous flow when steady pressure is applied to the palm button. The small size of the 3517 makes it ideal for many panel mount applications.

Weight: 0.5 lb (0.2 kg)

Material: Die cast silicon bronze and stainless steel hardware

Max. Supply Pressure: 200 psi (13.8 bar)

Operating Temp. Range: -40°C to +90°C

Pipe Port Size: 1/8" NPT

ORDERING INFORMATION

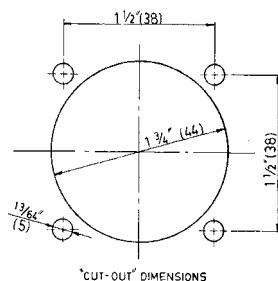
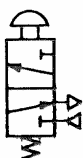
To order, state Model number

3517-A standard model

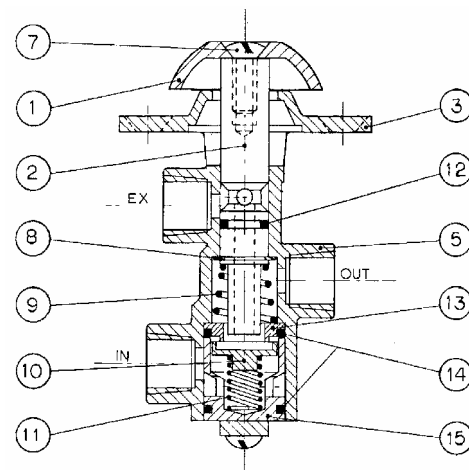
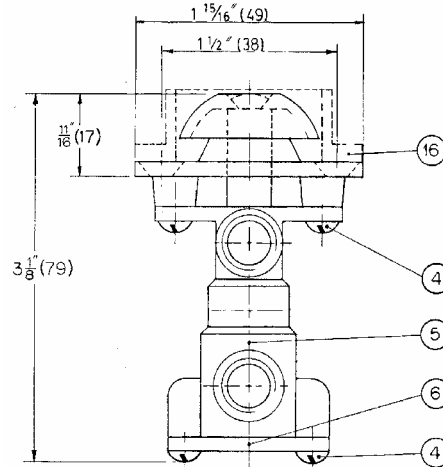
3517-G with button guard

3517-RK Repair kit for all seals

SCHMATIC SYMBOL



CUT-OUT DIMENSIONS



ITEM	QTY	PART NUMBER	DESCRIPTION
1	1	3517-0001	Palm Button
2	1	3517-0002	Spool
3	1	3517-0003	Mounting Plate
4	4	1010-0806	Screw
5	1	3516-0004	Body
6	1	3803-0007	End Cap
7	1	1005-0808	Screw
8	1	1029-2037	Snap Ring
9	1	1201-0013	Spring
10	1	3803-0004	Poppet
11	1	1201-0004	Spring
12	1	1101-0010	"O" Ring
13	1	3803-0003	Seat
14	2	1101-0014	"O" Ring
15	1	3803-0005	Retainer
*16	1	3517-0004	Button Guard

* Optional

All Dimensions in inches (mm)